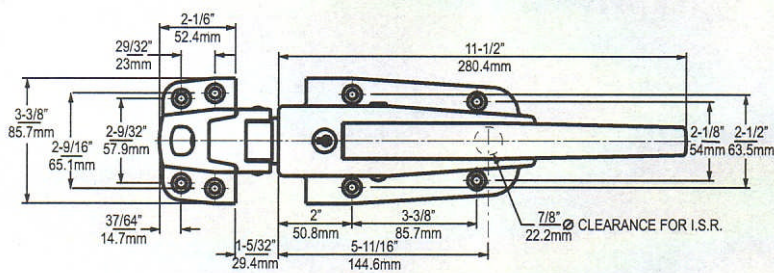


Kason Stainless Steel Hardware



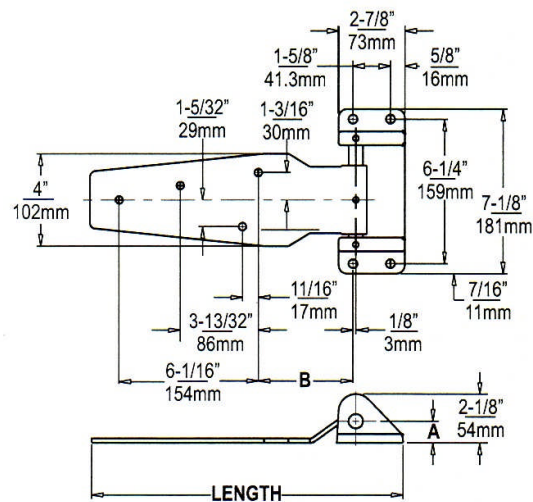
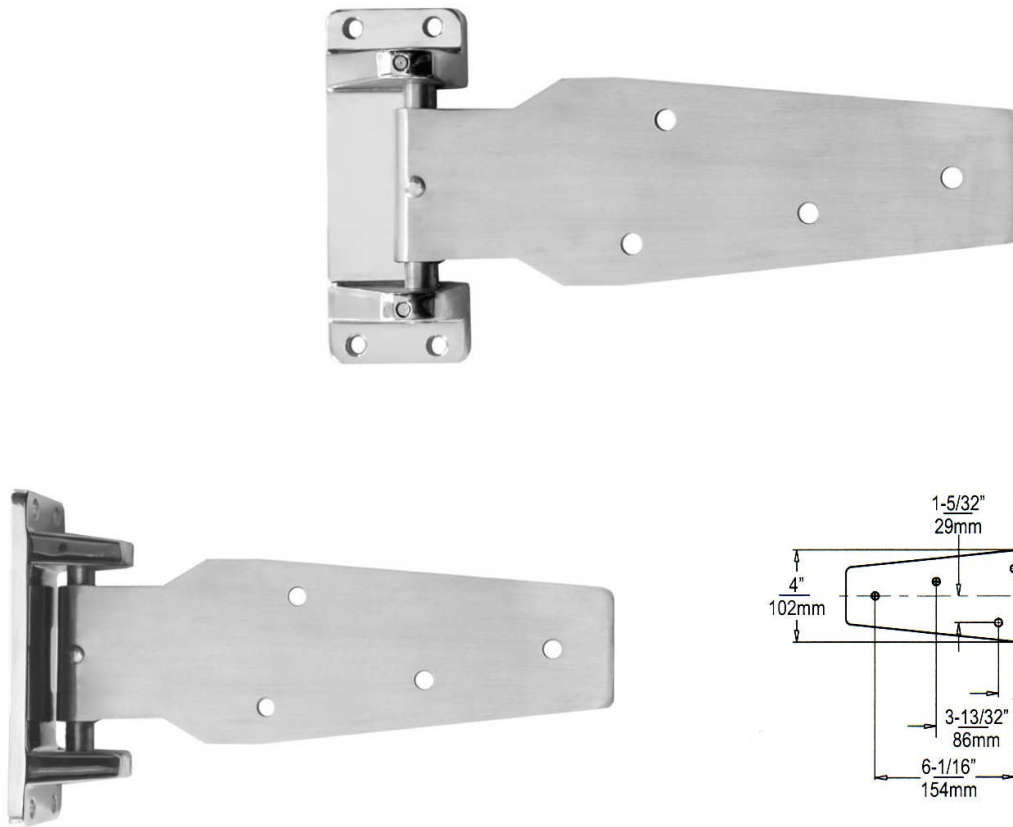
a.



b.

Item	Stock Code	Description
a	K556L05020	<p>Kason Stainless Steel SafeGuard® Latch</p> <ul style="list-style-type: none"> The walk-in latch unsurpassed for reliability, is now available for the most challenging applications. No. 556 is the tough, stainless steel model of time-tested Kason 56 SafeGuard® latch. No. 556 features unequalled strength and corrosion-resistance. Tamper-resistant locking mechanism and mounting are built-in. Bolt-type tongue has positive locking action. Patented, adjustable roller strike assures precise adjustment. <p>Material: Polished, #316 stainless steel body and strike housing with #304 stainless steel roller.</p> <p>Mounting: Holes drilled and countersunk for 6mm (1/4") screws.</p>
b	K556002	-3.0mm to 19.0mm, #316 stainless steel adjustable strike with #304 stainless steel roller.
	K556003	19.0mm to 41.0mm, #316 stainless steel adjustable strike with #304 stainless steel roller.
	K556004	41.0mm to 64.0mm, #316 stainless steel adjustable strike with #304 stainless steel roller.
a	K481S	<p>Kason Safety-Glow™ Push Handle. Suitable for Kason K56, K556 and K58 series latches; W38 Series latches. Glow in the dark knob is always visible.</p> <p>Material: Stainless Steel rod and flange; glow-in the dark Safety-Glow™ plastic knob.</p> <p>Mounting: Holes drilled for 5.0mm screws.</p> <p style="text-align: right;">* Available Now *</p>

Kason Stainless Steel Self-Closing Hinges



**Heavy Duty Corrosion Resistant
Stainless Steel Self Closing Hinges**

- Self-closing, cam rise hinge is extra rugged for challenging applications.
- Precision-mounted stainless steel cams gently raise and lower large doors.
- Cam action assures effortless opening and less gasket wear.
- Strap reverses for right or left opening door without disassembly.

Material: Polished #316 series stainless steel flange, 5mm (3/16”) thick strap and 16mm (5/8”) diameter cam pins

Strap Length: 294mm (11 5/8”)

Offsets: See ordering information below

Mounting: Drilled for 10mm (3/8”) screws

Stock Code	Offset	Length	Dimension A	Dimension B
K1377S00004	Flush (0.0mm)	342.9mm (13 1/2”)	23.8mm (15/16”)	100.8mm (3 31/32”)
K1377S00008	29mm (11/8”)	346.1mm (13 21/32”)	23.8mm (15/16”)	104.0mm (4 3/32”)
K1377S00018	45mm (1 3/4”)	346.1mm (13 21/32”)	33.3mm (1 5/16”)	104.0mm (4 3/32”)