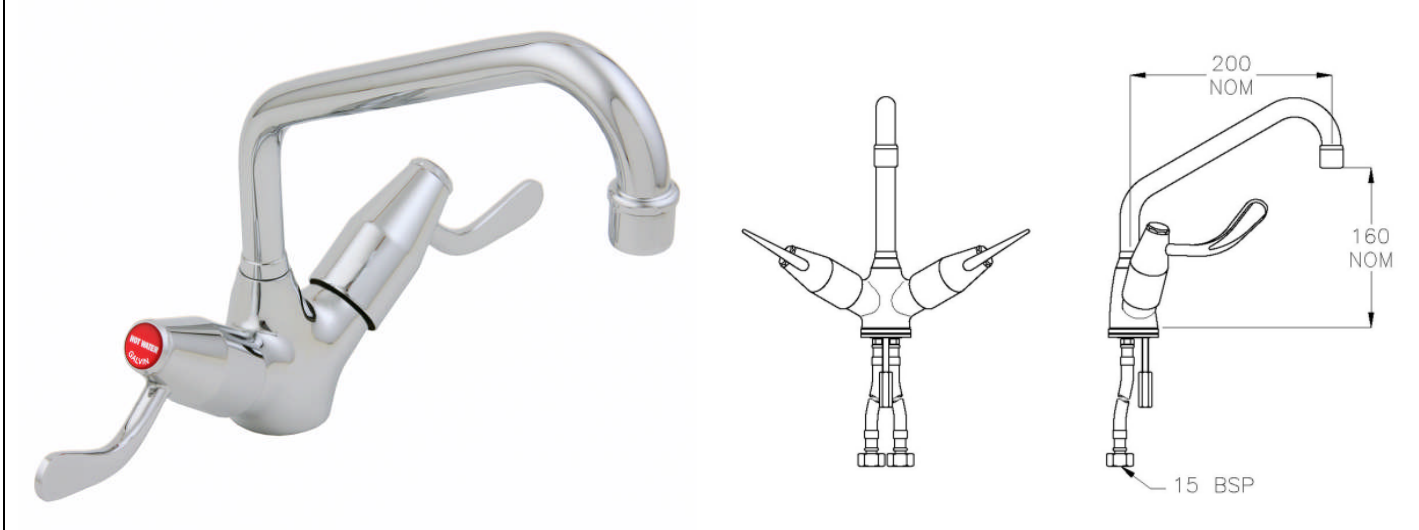


GE Commercial Taps - Deck Mounted



Stock Code	Description
83240	<p>GE hob mounted commercial tap, single tap hole, hot and cold lever handles, 200mm swivel gooseneck (see diagram above), flow regulator aerator, applicable for commercial kitchens, schools, hospitals, nursing homes, health care markets and residential markets.</p> <ul style="list-style-type: none"> - All Parts and Fixtures are AS3718 and WELS Approved - Chrome Finish - Solid DR Brass Construction - Heavy Duty Commercial Style
83245	<p>GE hob mounted commercial tap, single tap hole, hot and cold lever handles, 300mm swivel gooseneck, flow regulator aerator, applicable for commercial kitchens, schools, hospitals, nursing homes, health care markets and residential markets.</p> <ul style="list-style-type: none"> - All Parts and Fixtures are AS3718 and WELS Approved - Chrome Finish - Solid DR Brass Construction - Heavy Duty Commercial Style